

DATASHEET

HK HYDRAULIC PISTON COMPRESSORS-BLUE AIR



HK450/8-15
HKOF450/8-15
HK1000/12-35



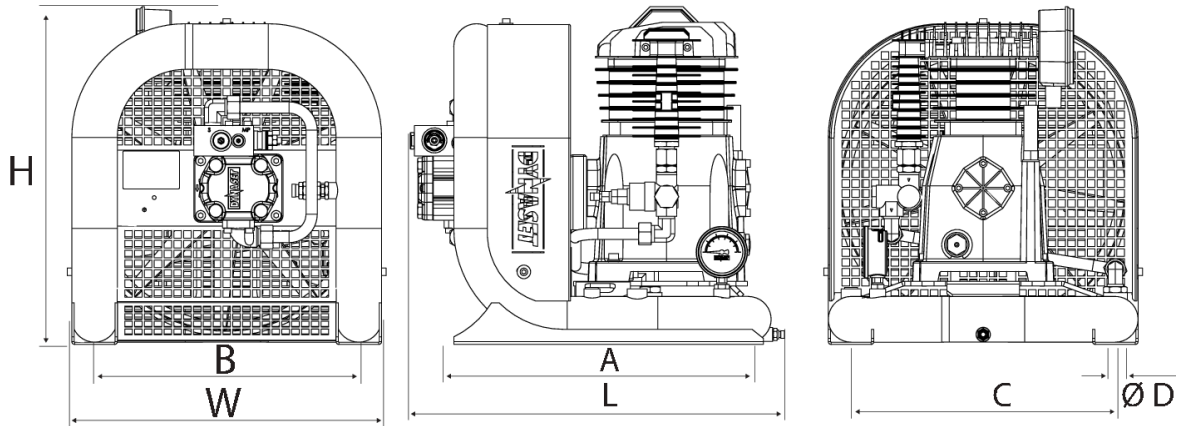
HK HYDRAULIC PISTON COMPRESSORS-BLUE AIR TABLE OF CONTENTS

v.2.0 11/2023 WNu

1. DIMENSIONS	3
2. HYDRAULIC CONNECTIONS	6
3. TECHNICAL SPECIFICATIONS	7

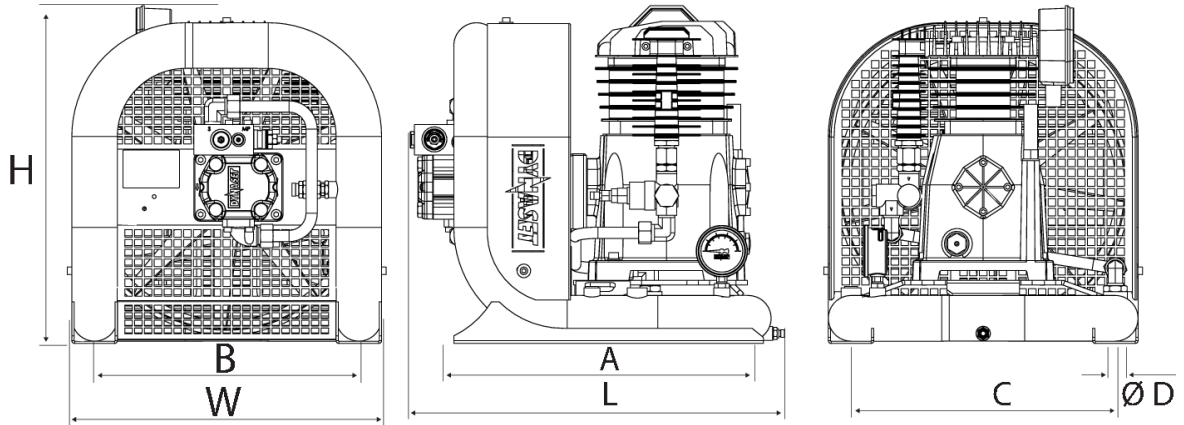
1. DIMENSIONS

HK450



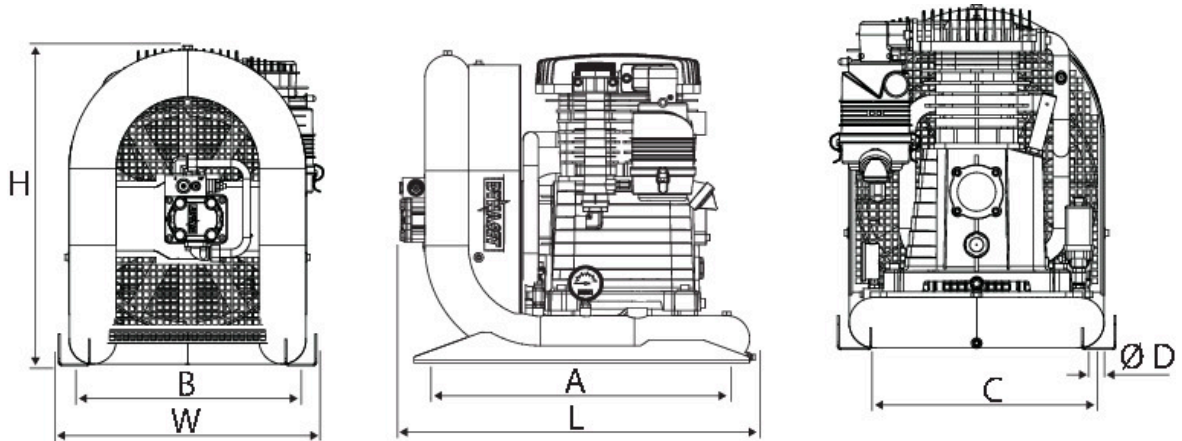
Model	Dimensions,							Weight
	L	W	H	A	B	C	D	kg (lbs)
HK450/8-15-F-U	496 (19.5)	410 (16.1)	446 (17.6)	374 (14.7)	350 (13.8)	350 (13.8)	11 (0.4)	35 (77)
HK450/8-15-F-U-Y	496 (19.5)	410 (16.1)	430 (16.9)	374 (14.7)	350 (13.8)	350 (13.8)	11 (0.4)	35 (77)
HK450/8-15-F-U-Y-H	496 (19.5)	410 (16.1)	430 (16.9)	374 (14.7)	350 (13.8)	350 (13.8)	11 (0.4)	35 (77)
HK450/8-15-F-E	496 (19.5)	410 (16.1)	446 (17.6)	374 (14.7)	350 (13.8)	350 (13.8)	11 (0.4)	35 (77)
HK450/8-15-F-E-Y	496 (19.5)	410 (16.1)	430 (16.9)	374 (14.7)	350 (13.8)	350 (13.8)	11 (0.4)	35 (77)
HK450/8-15-F-E-Y-H	496 (19.5)	410 (16.1)	430 (16.9)	374 (14.7)	350 (13.8)	350 (13.8)	11 (0.4)	35 (77)
HK450/8-15-S-U	494 (19.4)	410 (16.1)	446 (17.6)	374 (14.7)	350 (13.8)	350 (13.8)	11 (0.4)	35 (77)
HK450/8-15-S-U-Y	494 (19.4)	410 (16.1)	430 (16.9)	374 (14.7)	350 (13.8)	350 (13.8)	11 (0.4)	35 (77)
HK450/8-15-S-U-Y-H	494 (19.4)	410 (16.1)	430 (16.9)	374 (14.7)	350 (13.8)	350 (13.8)	11 (0.4)	35 (77)
HK450/8-15-S-E	494 (19.4)	410 (16.1)	446 (17.6)	374 (14.7)	350 (13.8)	350 (13.8)	11 (0.4)	35 (77)
HK450/8-15-S-E-Y	494 (19.4)	410 (16.1)	430 (16.9)	374 (14.7)	350 (13.8)	350 (13.8)	11 (0.4)	35 (77)
HK450/8-15-S-E-Y-H	494 (19.4)	410 (16.1)	430 (16.9)	374 (14.7)	350 (13.8)	350 (13.8)	11 (0.4)	35 (77)
HK450/8-15-PNE	517 (20.4)	410 (16.1)	446 (17.6)	374 (14.7)	350 (13.8)	350 (13.8)	11 (0.4)	35 (77)
HK450/8-15-PNE-Y	517 (20.4)	410 (16.1)	446 (17.6)	374 (14.7)	350 (13.8)	350 (13.8)	11 (0.4)	35 (77)
HK450/8-15-PNE-Y-H	517 (20.4)	410 (16.1)	446 (17.6)	374 (14.7)	350 (13.8)	350 (13.8)	11 (0.4)	35 (77)

HKOF450



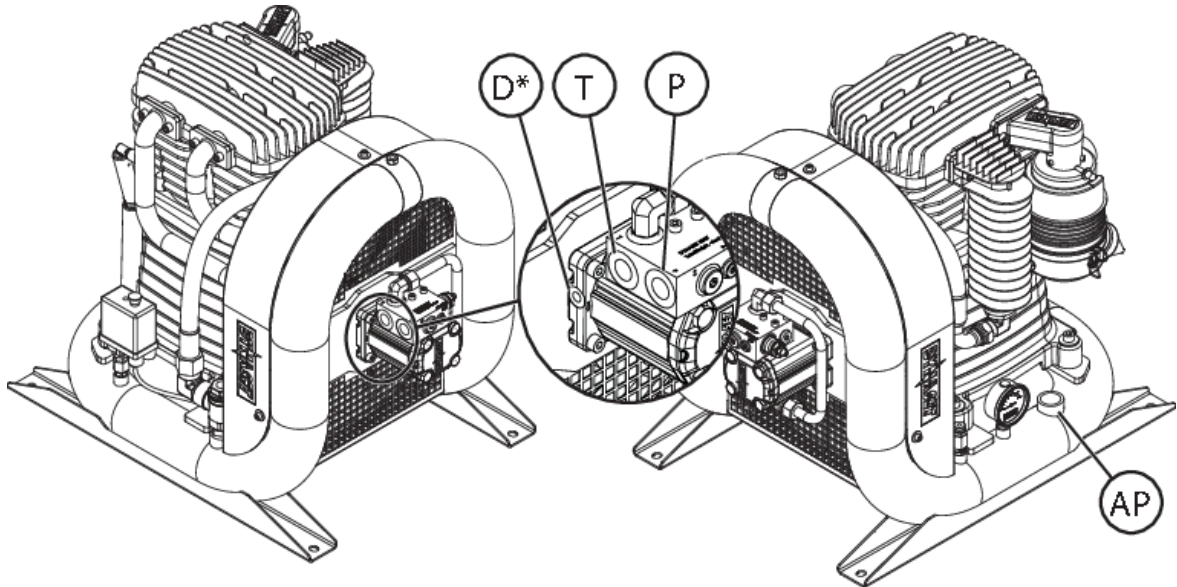
Model	Dimensions,								Weight kg (lbs)
	L	W	H	A	B	C	D		
HKOF450/8-15-F-E	496 (19.5)	410 (16.1)	446 (17.6)	374 (14.7)	350 (13.8)	350 (13.8)	11 (0.4)	35 (77)	
HKOF450/8-15-F-E-Y	496 (19.5)	410 (16.1)	430 (16.9)	374 (14.7)	350 (13.8)	350 (13.8)	11 (0.4)	35 (77)	
HKOF450/8-15-F-U	496 (19.5)	410 (16.1)	446 (17.6)	374 (14.7)	350 (13.8)	350 (13.8)	11 (0.4)	35 (77)	
HKOF450/8-15-F-U-Y	496 (19.5)	410 (16.1)	430 (16.9)	374 (14.7)	350 (13.8)	350 (13.8)	11 (0.4)	35 (77)	
HKOF450/8-15-PNE	517 (20.4)	410 (16.1)	446 (17.6)	374 (14.7)	350 (13.8)	350 (13.8)	11 (0.4)	35 (77)	
HKOF450/8-15-PNE-Y	517 (20.4)	410 (16.1)	446 (17.6)	374 (14.7)	350 (13.8)	350 (13.8)	11 (0.4)	35 (77)	
HKOF450/8-15-S-E	494 (19.4)	410 (16.1)	446 (17.6)	374 (14.7)	350 (13.8)	350 (13.8)	11 (0.4)	35 (77)	
HKOF450/8-15-S-E-Y	494 (19.4)	410 (16.1)	430 (16.9)	374 (14.7)	350 (13.8)	350 (13.8)	11 (0.4)	35 (77)	
HKOF450/8-15-S-U	494 (19.4)	410 (16.1)	446 (17.6)	374 (14.7)	350 (13.8)	350 (13.8)	11 (0.4)	35 (77)	
HKOF450/8-15-S-U-Y	494 (19.4)	410 (16.1)	430 (16.9)	374 (14.7)	350 (13.8)	350 (13.8)	11 (0.4)	35 (77)	

HK1000



Model	Dimensions,							Weight
	L	W	H	A	B	C	D	
HK1000/12-35-F-U	691 (27.2)	490 (19.3)	605 (23.8)	610 (24.0)	430 (16.9)	430 (16.9)	13 (0.5)	80 (177)
HK1000/12-35-F-U-D	691 (27.2)	490 (19.3)	605 (23.8)	610 (24.0)	430 (16.9)	430 (16.9)	13 (0.5)	80 (177)
HK1000/12-35-F-E	691 (27.2)	490 (19.3)	605 (23.8)	610 (24.0)	430 (16.9)	430 (16.9)	13 (0.5)	80 (177)
HK1000/12-35-F-E-D	691 (27.2)	490 (19.3)	605 (23.8)	610 (24.0)	430 (16.9)	430 (16.9)	13 (0.5)	80 (177)
HK1000/12-35-PNE	713 (28.1)	490 (19.3)	605 (23.8)	610 (24.0)	430 (16.9)	430 (16.9)	13 (0.5)	80 (177)
HK1000/12-35-PNE-D	713 (28.1)	490 (19.3)	605 (23.8)	610 (24.0)	430 (16.9)	430 (16.9)	13 (0.5)	80 (177)
HK1000/12-35-S-E	689 (27.1)	490 (19.3)	605 (23.8)	610 (24.0)	430 (16.9)	430 (16.9)	13 (0.5)	80 (177)
HK1000/12-35-S-E-D	689 (27.1)	490 (19.3)	605 (23.8)	610 (24.0)	430 (16.9)	430 (16.9)	13 (0.5)	80 (177)
HK1000/12-35-S-U	689 (27.1)	490 (19.3)	605 (23.8)	610 (24.0)	430 (16.9)	430 (16.9)	13 (0.5)	80 (177)
HK1000/12-35-S-U-D	689 (27.1)	490 (19.3)	605 (23.8)	610 (24.0)	430 (16.9)	430 (16.9)	13 (0.5)	80 (177)

2. HYDRAULIC CONNECTIONS

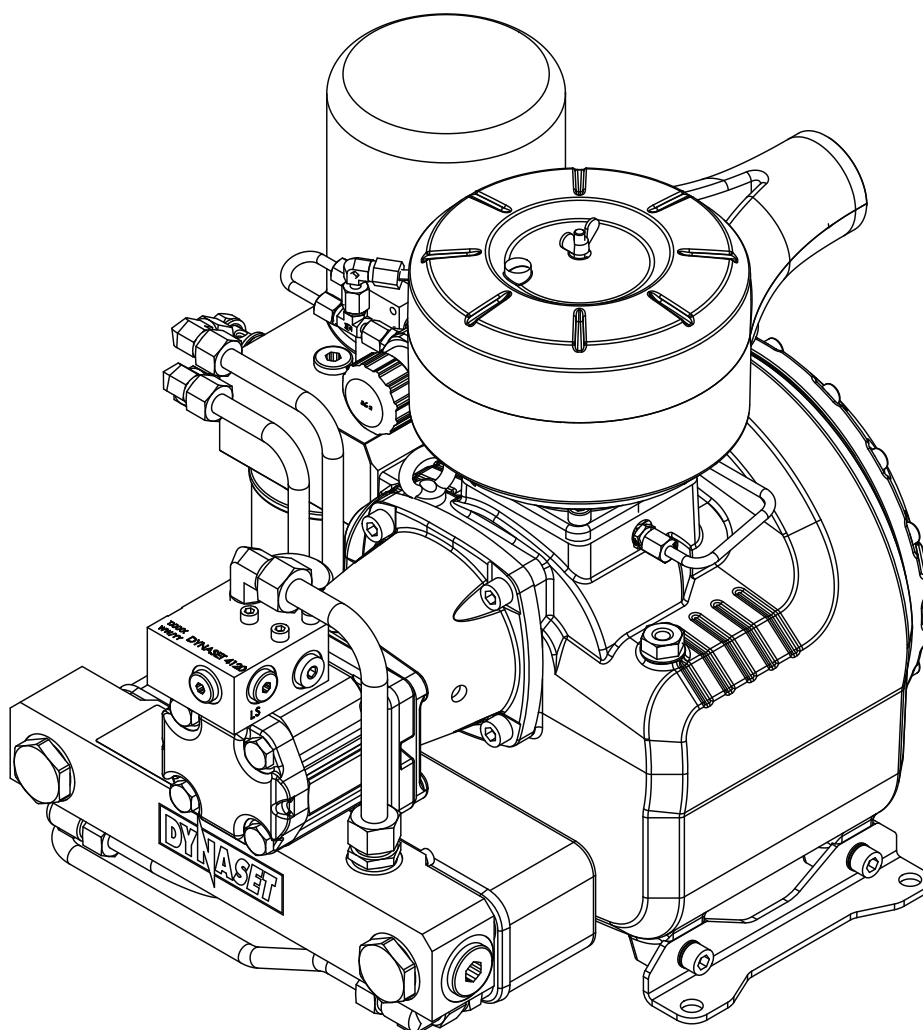


Model	Connections			
	Pressure Line, P	Return Line, T	Drain Line, D*	Air Output, AP
HK450/8-15	BSPP 1/2	BSPP 1/2	-	BSPP 1/2
HKOF450/8-15	BSPP 1/2	BSPP 1/2	-	BSPP 1/2
HK1000/12-35	BSPP 1/2	BSPP 1/2	BSPP 1/8	BSPP 1

***Only in HK1000 -D models.**

3. TECHNICAL SPECIFICATIONS

		HK450/8-15	HKOF450/8-15	HK1000/12-35
DISCHARGE CHARACTERISTICS				
Displacement max at nominal hydraulic flow	l/min (gpm)	450 (118.89)	450 (118.89)	1,000 (264.20)
Pressure max.	bar (psi)	8 (116)	8 (116)	12 (174)
Duty cycle		75%/10min	75%/10min	75%/10min
Frame reservoir	liter (gal.)	4.27 (1.13)	4.27 (1.13)	13 (3.43)
HYDRAULIC POWER REQUIREMENTS				
Flow min.	l/min (gpm)	10 (2.64)	10 (2.64)	12 (3.17)
Flow nom.	l/min (gpm)	15 (3.96)	15 (3.96)	35 (9.25)
Flow max.	l/min (gpm)	21 (5.55)	21 (5.55)	50 (13.21)
Pressure at nominal power output	bar (psi)	130 (1,885)	130 (1,885)	170 (2,466)
Pressure max.	bar (psi)	210 (3,046)	210 (3,046)	230 (3,336)
Pressure when unloaded	bar (psi)	67 (972)	67 (972)	100 (1,450)
HYDRAULIC FLUID REQUIREMENTS				
Viscosity	cSt	10-200 / optimum 25-35	10-200 / optimum 25-35	10-200 / optimum 25-35
Temperature max.*	°C(°F)	70 (158)	70 (158)	70 (158)
Filter ratio	µm	25	25	25
Cooling capacity requirements**	KW	2	2	4
LUBRICATION OIL				
Oil Fill	liter (gal.)	0.9 (0.24)	()	3.5 (0.92)
* Depending on hydraulic fluid.				
** Minimum oil cooling capacity for HK compressor on base machine.				



DATASHEET

HKR HYDRAULIC SCREW COMPRESSORS





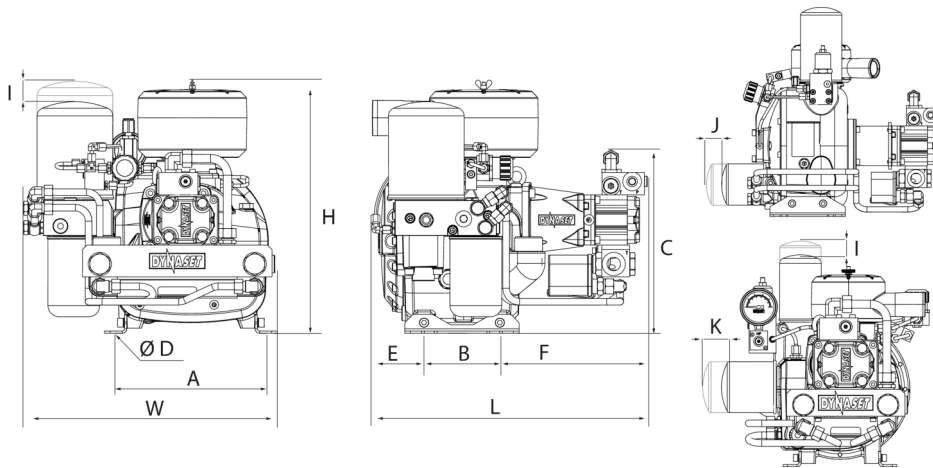
HKR HYDRAULIC SCREW COMPRESSORS TABLE OF CONTENTS

v.2.0 08/2023 WNu

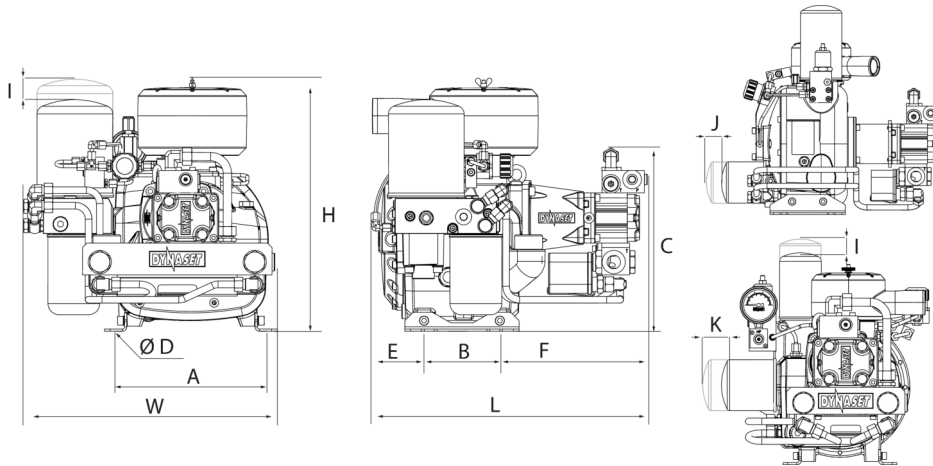
1. BLUE AIR MODELS	3
1.1 DIMENSIONS	3
1.2 CONNECTIONS	5
1.3 TECHNICAL SPECIFICATIONS 10 BAR MODELS	6
1.4 TECHNICAL SPECIFICATIONS 13 BAR MODELS	8
1.5 TECHNICAL SPECIFICATIONS 15 BAR MODELS	9

1. BLUE AIR MODELS

1.1 DIMENSIONS

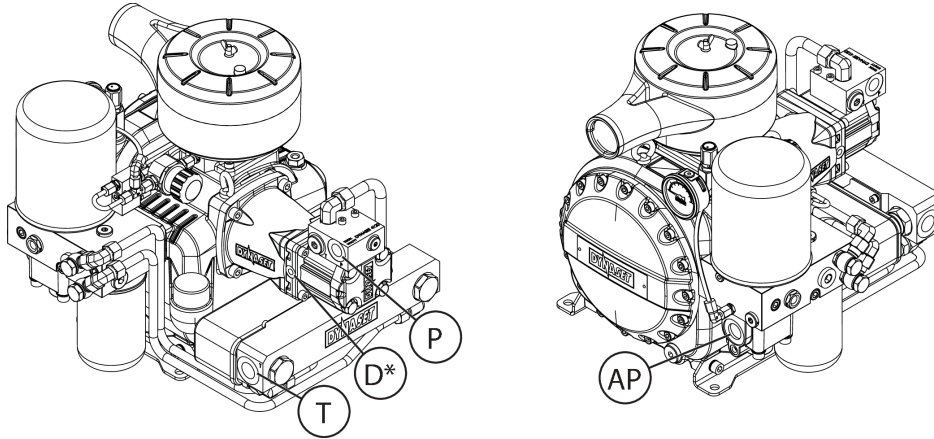


Model	Dimensions, mm (in)										Space for filter de-mounting, mm (in)		Weight kg (lbs)
	L	W	H	A	B	C	D	E	F	I	J	K	
HKR500/ 10-29	443 (17.4)	379 (14.9)	386 (15.2)	183 (7.2)	151 (5.9)	312 (12.3)	12.5 (0.5)	51 (2.0)	242 (9.5)	100 (3.9)	()	15 (0.6)	43 (95)
HKR600/ 15-26	499 (19.6)	371 (14.6)	471 (18.5)	288 (11.3)	140 (5.5)	285 (11.2)	12.5 (0.5)	109 (4.3)	235 (9.3)	150 (5.9)	25 (1.0)	()	43 (95)
HKR800/ 10-43	443 (17.4)	379 (14.9)	386 (15.2)	183 (7.2)	151 (5.9)	312 (12.3)	12.5 (0.5)	51 (2.0)	242 (9.5)	100 (3.9)	()	15 (0.6)	43 (95)
HKR1300/ 10-37	495 (19.5)	455 (17.9)	453 (17.8)	284 (11.2)	176 (6.9)	329 (13.0)	12.5 (0.5)	75 (3.0)	243 (9.6)	120 (4.7)	()	()	74 (163)
HKR2000/ 10-53	495 (19.5)	455 (17.9)	453 (17.8)	284 (11.2)	176 (6.9)	329 (13.0)	12.5 (0.5)	75 (3.0)	243 (9.6)	120 (4.7)	()	()	74 (163)
HKR2000/ 13-68	496 (19.5)	455 (17.9)	453 (17.8)	284 (11.2)	176 (6.9)	329 (13.0)	12.5 (0.5)	75 (3.0)	245 (9.6)	120 (4.7)	()	()	74 (163)
HKR2500/ 10-67	495 (19.5)	455 (17.9)	453 (17.8)	284 (11.2)	176 (6.9)	329 (13.0)	12.5 (0.5)	75 (3.0)	243 (9.6)	120 (4.7)	()	()	74 (163)



Model	Dimensions, mm (in)												Space for filter de-mounting, mm (in)	Weight kg (lbs)
	L	W	H	A	B	C	D	E	F	I	J	K		
HKR4000/ 10-104	612 (24.1)	518 (20.4)	574 (22.6)	322 (12.7)	165 (6.5)	400 (15.7)	12.5 (0.5)	140 (5.5)	306 (12.0)	230 (9.1)	()	()	137 (302)	
HKR4000/ 13-125	616 (24.3)	518 (20.4)	574 (22.6)	322 (12.7)	165 (6.5)	400 (15.7)	12.5 (0.5)	140 (5.5)	311 (12.2)	230 (9.1)	()	()	137 (302)	
HKR5000/ 10-137	669 (26.3)	518 (20.4)	579 (22.8)	322 (12.7)	165 (6.5)	400 (15.7)	12.5 (0.5)	198 (7.8)	306 (12.0)	230 (9.1)	()	()	137 (302)	
HKR6500/ 13-195	766 (30.2)	616 (24.3)	734 (28.9)	423 (16.7)	215 (8.5)	451 (17.8)	12.5 (0.5)	190 (7.5)	361 (14.2)	240 (9.4)	()	()	270 (596)	
HKR7500/ 10-183	776 (30.6)	623 (24.5)	735 (28.9)	423 (16.7)	215 (8.5)	451 (17.8)	12.5 (0.5)	205 (8.1)	356 (14.0)	240 (9.4)	()	()	270 (596)	
HKR11000/ 10-184	1,603 (63.1)	796 (31.3)	946 (37.2)	484 (19.1)	505 (19.9)	472 (18.6)	17 (0.7)	464 (18.3)	485 (19.1)	240 (9.4)	()	()	377 (832)	
HKR11000/ 10-270	1,618 (63.7)	796 (31.3)	946 (37.2)	484 (19.1)	505 (19.9)	478 (18.8)	17 (0.7)	464 (18.3)	501 (19.7)	240 (9.4)	()	()	382 (843)	

1.2 CONNECTIONS



D* Only in models with Drain port

Model	Connections			
	Pressure Line, P	Return Line, T	Drain Line, D*	Air Output, AP
HKR500/10-29	G 1/2 - BSPP	G 3/4 - BSPP	G 1/8 - BSPP	G 1/2 - BSPP
HKR600/15-26	G 1/2 - BSPP	G 3/4 - BSPP	G 1/8 - BSPP	G 3/4 - BSPP
HKR800/10-43	G 1/2 - BSPP	G 3/4 - BSPP	G 1/8 - BSPP	G 1/2 - BSPP
HKR1300/10-37	G 1/2 - BSPP	G 3/4 - BSPP	G 1/8 - BSPP	G 3/4 - BSPP
HKR2000/10-53	G 1/2 - BSPP	G 3/4 - BSPP	G 1/8 - BSPP	G 3/4 - BSPP
HKR2000/13-68	G 1/2 - BSPP	G 3/4 - BSPP	G 1/8 - BSPP	G 3/4 - BSPP
HKR2500/10-67	G 1/2 - BSPP	G 3/4 - BSPP	G 1/8 - BSPP	G 3/4 - BSPP
HKR4000/10-104	G 1 - BSPP	G 1-1/4 - BSPP	G 1/8 - BSPP	G 1 - BSPP
HKR4000/13-125	G 1 - BSPP	G 1-1/4 - BSPP	G 1/8 - BSPP	G 1 - BSPP
HKR5000/10-137	G 1 - BSPP	G 1-1/4 - BSPP	G 1/8 - BSPP	G 1 - BSPP
HKR6500/13-195	G 1 - BSPP	G 1-1/4 - BSPP	G 1/8 - BSPP	G 1-1/4 - BSPP
HKR7500/10-183	G 1 - BSPP	G 1-1/4 - BSPP	G 1/8 - BSPP	G 1-1/4 - BSPP
HKR11000/10-184	G 1 - BSPP	G 1 - BSPP	15L-M22x1.5	G 2 - BSPP
HKR11000/10-270	G 1 - BSPP	G 1 - BSPP	15L-M22x1.5	G 2 - BSPP

1.3 TECHNICAL SPECIFICATIONS 10 BAR MODELS

		HKR500/ 10-29	HKR800/ 10-43	HKR1300/ 10-37	HKR2000/ 10-53	HKR2500/ 10-67
DISCHARGE CHARACTERISTICS						
Flow rate at ref. conditions ¹	l/min (gpm)	500 (132.10)	800 (211.36)	1,300 (343.46)	2,000 (528.40)	2,500 (660.50)
Pressure max.	bar (psi)	10 (145)	10 (145)	10 (145)	10 (145)	10 (145)
HYDRAULIC POWER REQUIREMENTS						
Flow min.	l/min (gpm)	19 (5.02)	21 (5.55)	27 (7.13)	30 (7.93)	35 (9.25)
Flow nom.	l/min (gpm)	29 (7.66)	43 (11.36)	37 (9.78)	53 (14.00)	67 (17.70)
Flow max.	l/min (gpm)	30 (7.93)	45 (11.89)	40 (10.57)	55 (14.53)	80 (21.14)
Pressure at nominal power output	bar (psi)	123 (1,784)	135 (1,958)	205 (2,973)	205 (2,973)	205 (2,973)
Pressure max.	bar (psi)	230 (3,336)	230 (3,336)	230 (3,336)	230 (3,336)	230 (3,336)
Pressure when unloaded	bar (psi)	80 (1,160)	100 (1,450)	130 (1,885)	130 (1,885)	130 (1,885)
HYDRAULIC FLUID REQUIREMENTS						
Viscosity	cSt	10-200 / optimum 25-35	10-200 / optimum 25-35	10-200 / optimum 25-35	10-200 / optimum 25-35	10-200 / optimum 25-35
Temperature max.	°C(°F)	70 (158)	70 (158)	70 (158)	70 (158)	70 (158)
Filter ratio	µm	25	25	25	25	25
Cooling capacity requirements	KW	4	6	7	11	13
LUBRICATION OIL						
Oil Fill	liter (gal.)	2.5 (0.66)	2.5 (0.66)	4.9 (1.29)	4.9 (1.29)	4.9 (1.29)

		HKR4000/ 10-104	HKR5000/ 10-137	HKR7500/ 10-183	HKR11000/ 10-184	HKR11000/ 10-270
DISCHARGE CHARACTERISTICS						
Flow rate at ref. conditions ¹	l/min (gpm)	4,000 (1,056.80)	5,000 (1,321.00)	7,500 (1,981.51)	11,000 (2,906.21)	11,000 (2,906.21)
Pressure max.	bar (psi)	10 (145)	10 (145)	10 (145)	10 (145)	10 (145)
HYDRAULIC POWER REQUIREMENTS						
Flow min.	l/min (gpm)	55 (14.53)	60 (15.85)	70 (18.49)	115 (30.38)	165 (43.59)
Flow nom.	l/min (gpm)	104 (27.48)	137 (36.20)	183 (48.35)	184 (48.61)	270 (71.33)
Flow max.	l/min (gpm)	105 (27.74)	140 (36.99)	200 (52.84)	190 (50.20)	275 (72.66)
Pressure at nominal power output	bar (psi)	215 (3,118)	210 (3,046)	230 (3,336)	345 (5,004)	230 (3,336)
Pressure max.	bar (psi)	230 (3,336)	230 (3,336)	270 (3,916)	380 (5,511)	380 (5,511)
Pressure when unloaded	bar (psi)	140 (2,031)	160 (2,321)	160 (2,321)	250 (3,626)	()
HYDRAULIC FLUID REQUIREMENTS						
Viscosity	cSt	10-200 / optimum 25-35	10-200 / optimum 25-35	10-200 / optimum 25-35	10-200 / optimum 25-35	10-200 / optimum 25-35
Temperature max.	°C(°F)	70 (158)	70 (158)	70 (158)	70 (158)	70 (158)
Filter ratio	µm	25	25	25	25	25
Cooling capacity requirements	KW	22	27	40	45	45
LUBRICATION OIL						
Oil Fill	liter (gal.)	10.8 (2.85)	10.8 (2.85)	27 (7.13)	45 (11.89)	45 (11.89)

1.4 TECHNICAL SPECIFICATIONS 13 BAR MODELS

		HKR2000/13-68	HKR4000/13-125	HKR6500/13-195
DISCHARGE CHARACTERISTICS				
Flow rate at ref. conditions ¹	l/min (gpm)	2,000 (528.40)	4,000 (1,056.80)	6,500 (1,717.31)
Pressure max.	bar (psi)	13 (189)	13 (189)	13 (189)
HYDRAULIC POWER REQUIREMENTS				
Flow min.	l/min (gpm)	30 (7.93)	55 (14.53)	70 (18.49)
Flow nom.	l/min (gpm)	53 (14.00)	125 (33.03)	183 (48.35)
Flow max.	l/min (gpm)	68 (17.97)	125 (33.03)	195 (51.52)
Pressure at nominal power output	bar (psi)	210 (3,046)	220 (3,191)	230 (3,336)
Pressure max.	bar (psi)	210 (3,046)	230 (3,336)	230 (3,336)
Pressure when unloaded	bar (psi)	130 (1,885)	140 (2,031)	()
HYDRAULIC FLUID REQUIREMENTS				
Viscosity	cSt	10-200 / optimum 25-35	10-200 / optimum 25-35	10-200 / optimum 25-35
Temperature max.	°C(°F)	70 (158)	70 (158)	70 (158)
Filter ratio	µm	25	25	25
Cooling capacity requirements	KW	14.5	28	44
LUBRICATION OIL				
Oil Fill	liter (gal.)	4.9 (1.29)	10.8 (2.85)	27 (7.13)

1.5 TECHNICAL SPECIFICATIONS 15 BAR MODELS

HKR600/15-26		
DISCHARGE CHARACTERISTICS		
Flow rate at ref. conditions ¹	l/min (gpm)	600 (158.52)
Pressure max.	bar (psi)	15 (218)
HYDRAULIC POWER REQUIREMENTS		
Flow min.	l/min (gpm)	16 (4.23)
Flow nom.	l/min (gpm)	26 (6.87)
Flow max.	l/min (gpm)	30 (7.93)
Pressure at nominal power output	bar (psi)	195 (2,828)
Pressure max.	bar (psi)	230 (3,336)
Pressure when unloaded	bar (psi)	145 (2,103)
HYDRAULIC FLUID REQUIREMENTS		
Viscosity	cSt	10-200 / optimum 25-35
Temperature max.	°C(°F)	70 (158)
Filter ratio	µm	25
Cooling capacity requirements	KW	5
LUBRICATION OIL		
Oil Fill	liter (gal.)	3.5 (0.92)



HKR HYDRAULIC SCREW COMPRESSORS BLUE AIR MODELS



POWERED BY HYDRAULICS

Menotie 3
FI-33470 Ylöjärvi, Finland
tel: +358 3 3488 200
info@DYNASET.com



ELECTRICITY

HG Hydraulic Generator
HGV POWER BOX Variable Hydraulic
Generator System
HGV Variable Hydraulic Generator System
HWG Hydraulic Welding Generator
HGG Hydraulic Ground Power Generator



HIGH PRESSURE WATER

HPW Hydraulic High Pressure Water Pump
HPW Hydraulic Power Washer
KPL High Pressure Street Washing Unit
KPL-WEED Weed Killing Unit
SCU Surface Cleaning Unit
HPW-DUST High Pressure Dust Suppression
System
PPL High Pressure Pipe Cleaning Unit
HPW-FIRE High Pressure Firefighting System
FP Fire Fighting Piercing Kit
HDF Hydraulic Drilling Fluid Pump
JPL High Pressure Bin Washing System
HSP Hydraulic Submersible Pump



COMPRESSED AIR

HK Hydraulic Piston Compressor
HKL Hydraulic Rotary Vane Compressor
HKR Hydraulic Screw Compressor



MAGNET POWER

HMG PRO Hydraulic Magnet Generator
MAG Lift Magnet
HMAG PRO Hydraulic Magnet



VIBRATION

HVB Hydraulic Vibration Pump
HVD Hydraulic Directional Vibra
HRC Hydraulic Reversal Cylinder



POWER BOOSTING

HPI Hydraulic Pressure Intensifier
HPI-C Hydraulic Pressure Intensifier for
Cylinder



VACUUM

HCF Hydraulic Centrifugal Fan
HRVB Hydraulic Recycling Vacuum Bucket



KNOW-HOW

Hydraulic Power Take-off (PTO)
Hydraulic Power Unit Technology
HEU Hydraulic Expansion Unit
HRU Hydraulic Rescue Units
De-Icing Technology
Installation Valves
HHK Hydraulic Grinder
HV/HVY Hydraulic Winch / Winch Unit

www.DYNASET.com



[/dynaset](https://www.facebook.com/dynaset)



[/dynasetoy](https://www.youtube.com/dynasetoy)



[/Dynaset_ofcl](https://twitter.com/Dynaset_ofcl)



[/dynaset_official](https://www.instagram.com/dynaset_official)